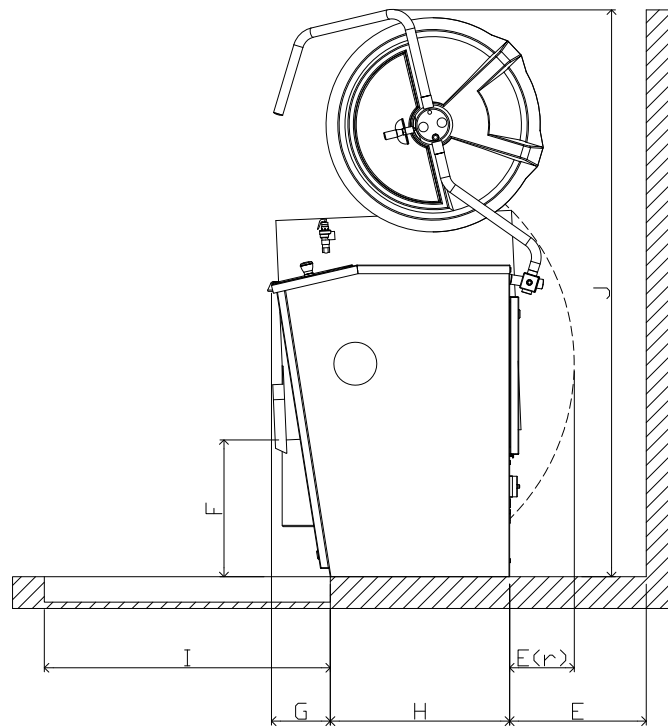
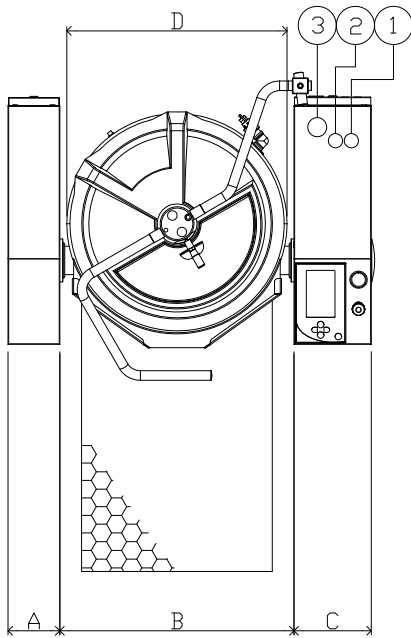
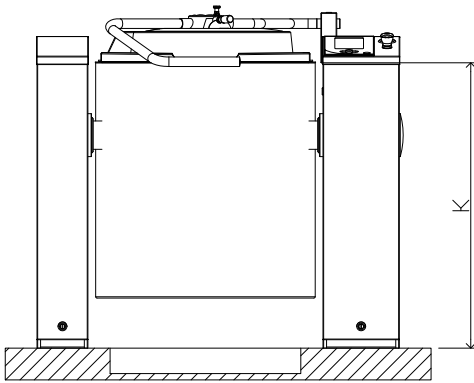


SPECIFICATIONS

# TILTING KETTLE M5

TIPPING HEIGHT: 400 MM



1. COLD WATER, THREAD R15 EXT. 2. HOT WATER, THREAD R15 EXT. 3. ELECTRICAL CONNECTION, 3 N 50 HZ 400/230 V. PE (BUILT-IN ISOLATION SWITCH)

Volume	A	B	C	D	E (r)	E	F	G	H	I	J	K	Output	Output	Fuse	Heating time
Litres	mm	mm	mm	mm	mm	mm	mm	mm	mm	mm	mm	mm	kW	Stirrer	A	Approx. min
50	160	655	240	605	63	330	410	185	564	800	1,716	900	15.0	0.5	25	25
75	160	655	240	605	152	330	410	185	564	800	1,716	900	15.0	0.7	25	35
100	160	740	240	690	206	430	410	185	564	900	1,786	900	22.5	1.0	35	30
150	160	960	240	910	369	430	410	185	564	900	1,966	900	30.0	1.1	45	35
200	160	960	240	910	369	430	410	185	564	900	1,966	900	35.0	1.5	63	35
300	160	1,085	240	1,035	503	530	410	185	564	900	2,070	900	45.0	2.2	80	35
400	160	1,085	240	1,035	603	630	560	185	564	900	2,220	1050	50.0	3,0	100	35